

# GL-BL220

## User's Manual

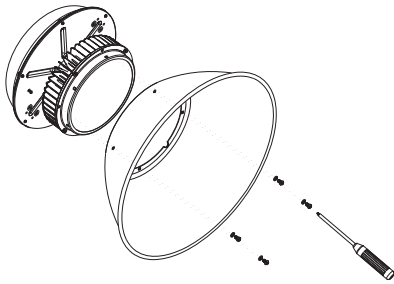


Thank you for choosing the GL-BL220 series LED products. Please install and use the products according to the following directions to ensure the normal function and proper operation of the products. If not to follow these instructions to properly install and normally use the products, you will not get the warranty-committed compensation or protection. We will not take any responsibility for any product damage caused by improper installation or abnormal usage.

### Installation Steps

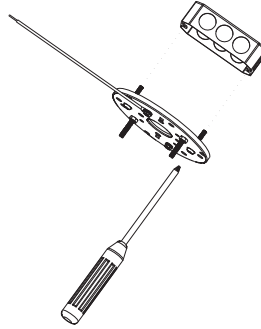
#### Step 1.

Use four M5\*8mm screws to secure the light-shade to the fixture with a Phillips screwdriver.



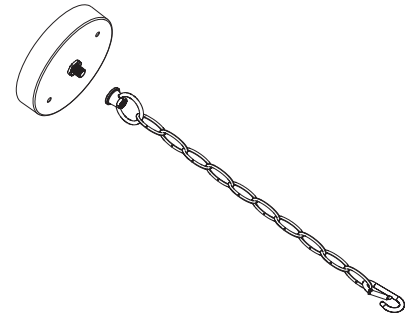
#### Step 2.

Use a Phillips screwdriver and two 8#-32 screws to secure the mounting plate to the junction box.



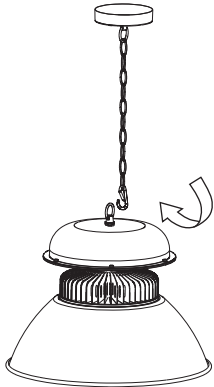
#### Step 3.

Lock one end of the safety chain to the ceiling mount.



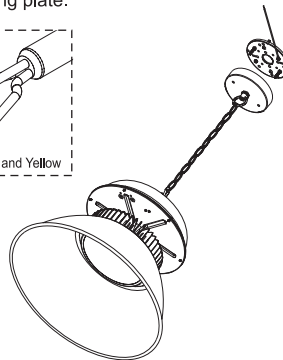
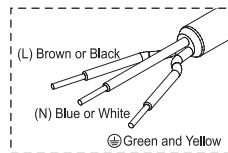
#### Step 4.

Hook the other end of the safety chain into the ring on the top of the lighting fixture.



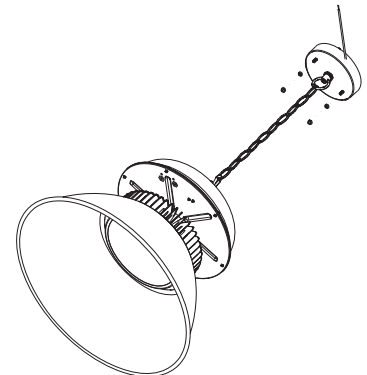
#### Step 5.

Connect the fixture's power cables to their corresponding colors of the power source and entwine together. Connect the grounding line to the grounding screw of the grounding devices or mounting plate.



#### Step 6.

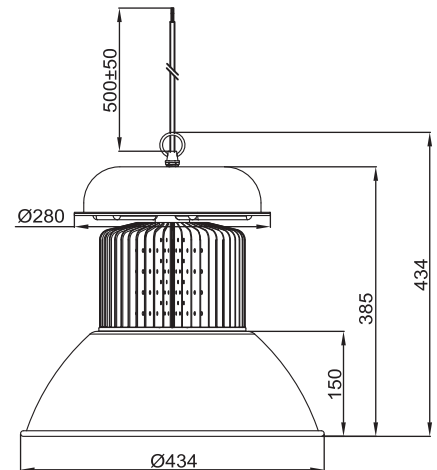
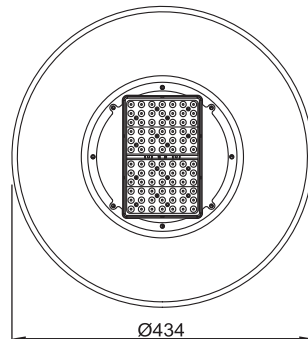
Secure the ceiling mount's cover by screwing the 3/16 nut tight, followed by screwing the 3/16 semi-circular nut tight.



### Specifications

Type	GL-BL220-CW
Energy Used	210W
Rated Life	30,000 Hours
Input Voltage	100-277V AC
Power Factor (PF)	0.98 @120V AC, 0.94@240V AC
CCT(Color)	5700K
Luminous Flux	15000lm
Luminous Efficacy	71lm/W
CRI (Typ.)	70
Beam Angle	30° / 60°
Dimension	Ø434 x 434 mm
Operation Temperature	-20°C ~ +40°C
Net. Weight	5.5 Kg

### BL220 Outlook



UNIT: mm

### Notices

- » Not suitable for outdoor use
- » Not suitable for dimming function
- » Not suitable for high ambient temperature operation
- » Allow lamp to cool before replacing

